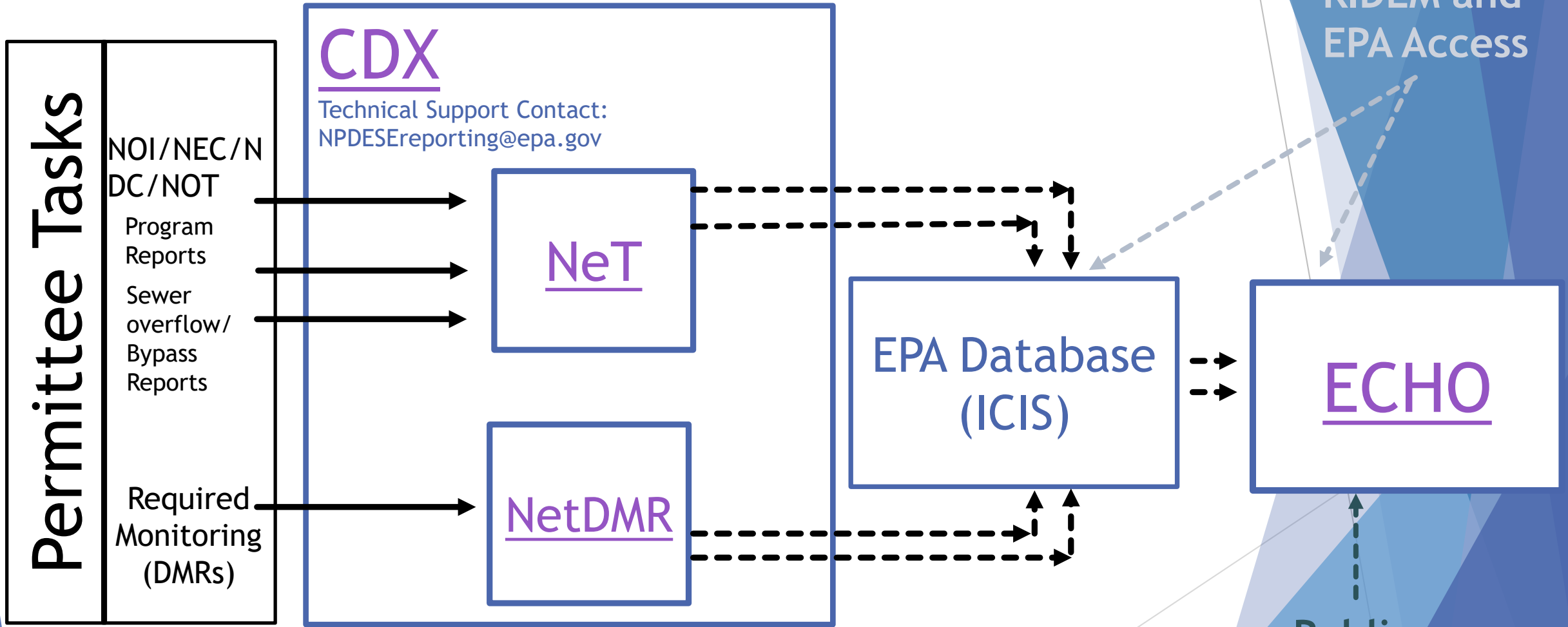


# How E-Reporting Works (Rev. Dec 2021)



The deadline for Phase II of the Federal E-Rule is [December 21, 2025](#). RIDEM has implemented or is in the process of implementing electronic reporting tools for these documents.